



305/11/CEE
UNI-EN 12101-2:2004



FREE SMOKE

*natural smoke and heat exhaust ventilator,
+ semi-frame with electric motor*

COMPACT SYSTEM ✓

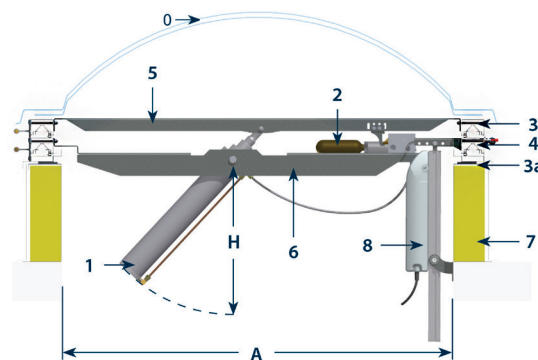
DOUBLE FRAME FOR MAXIMUM OPERATIONAL SAFETY ✓

ALSO FOR DAILY VENTILATION ✓

► Overall view of the NSHEV FREE SMOKE +SEMI-FRAME WITH ELECTRIC MOTOR device



- 0 dome
- 1 pneumatic cylinder with three-stage operation using a mixed gas (CO₂/OIL)
- 2 thermal valve with CO₂ gas cylinder and customizable calibrated glass ampoule
- 3 natural extruded aluminum opening frame for smoke and heat extraction
- 3a natural extruded aluminium opening frame for ventilation
- 4 removable latch for external opening for periodic maintenance
- 5 upper bracket
- 6 lower bracket
- 7 curb
- 8 electric motor



Foro solaio, vano passaggio fumo

NSHEV Free Smoke is a patented and compact system consisting of an aluminum frame with a sealing gasket. Aluminum hinges, galvanized steel rivets and fittings, and an opening device with a three-stage pneumatic cylinder operating with a mixed gas of CO₂/OIL, pivotally mounted between two parallel brackets. It also includes a CO₂ cylinder, a thermal fuse vial (with various available calibrations), and a thermal valve. The presence of an additional latch cylinder ensures the possibility to open the sash for periodic maintenance and cleaning activities. The device can be connected to a remote pneumatic opening without any additional accessories. NSHEV Free Smoke is a device for opening only in case of emergency and requires manual closing from the roof, while electric opening can be used for daily ventilation

CYLINDER CLEARANCE IN OPENING

H (mm)	A-luce netta (mm)
400	≤ 860
440	> 860/ < 1400
620	≤ 1400

PERFORMANCE CLASSES IN DoP

PRODUCT DESCRIPTION:	Free Smoke DA	LOW ENVIRONMENTAL TEMPERATURE:	T-25° C
SERIAL NUMBER:	#####	WIND LOAD:	WL 1500
OPERATION:	automatic/automatic + manual	HEAT RESISTANCE:	B 300
TEMPERATURE OF THERMAL START-UP:	68°C / 93°C / 141°C / 181°C	FIRE REACTION OF THE INFILL MATERIAL:	B-s1, d0 for polycarbonate
EFFECTIVE AERODYNAMIC SURFACE AREA Aa:	variable according to device size	SPOILER RESISTANCE:	NON PRESENT
RELIABILITY:	RE 50		
OPENING UNDER LOAD:	SL 1000 if the geometric surface area is less than or equal to 3m ² . SL 500 if the geometric surface area is greater than or equal to 3m ² .		

Approfondisci



Verifica
DIMENSIONI
STANDARD
IN TABELLA



The information and performance indicated in this data sheet refer to the complete NSHEV system including the curb and skylight (for further details regarding these specific items, please refer to the relevant datasheets).